

# YONG YUAN VALVE

## DUCTILE IRON SWING CHECK VALVE

### YKAD SERIES



Long  
2000Psi



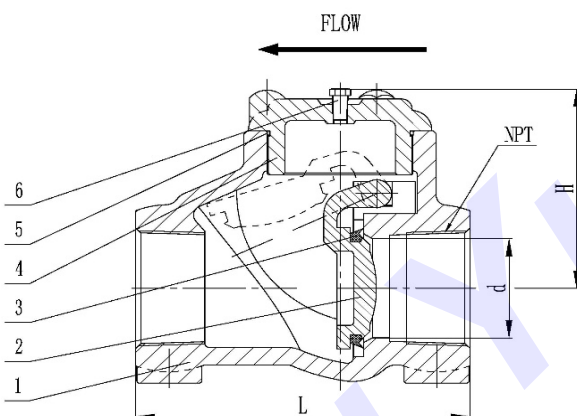
2000Psi

#### Features Include:

- Ductile Iron Swing Check Valves
- 1" to 4" Size Range
- Ductile Iron: 300 to 2000 WOG Pressure Range
- Full Opening
- Threaded ends to ANSI B1.20.1 (NPT)
- NACE MR0175

#### Parts & Materials

No.	Part	Material
1	BODY	ASTM A395 DI
2	DISK	ASTM A351 CF8
3	O-RING SEAL	VITON
4	BONNET	ASTM A395 DI
5	GASKET	VITON
6	BONNET SCREW	ASTM A105



#### Dimensions(in)

Size	Part#	Connection	Pressure	L	H	d	NPT	Weight (lbs)
1"	YKAD06V20	FNPT	300~2000	4.72	3.28	1.00	11.5NPT	5.86
2"	YKAD09V20	FNPT	300~2000	6.30	4.09	2.00	11.5NPT	12.13
2"	YKAD09V20L	FNPT	300~2000	7.25	4.09	2.00	11.5NPT	15.34
2-1/2"	YKAD10V20	FNPT	300~2000	8.00	4.90	2.52	8NPT	19.82
3"	YKAD11V20	FNPT	300~2000	8.25	5.43	3.00	8NPT	22.49
4"	YKAD12V10	FNPT	300~1000	10.00	6.26	3.94	8NPT	35.80
4"	YKAD12V20	FNPT	300~2000	10.00	7.80	3.98	8NPT	57.76