

YONG YUAN VALVE

FLANGED END BALL VALVE

YFBF CLASS 300LB SERIES

Features:

- WCB Body and Adapter
- Anti blowout proof stem design
- Valves Designed to API 6D
- Valves meet ASME B16.34 B16.10 B16.5 and BS5351
- Fire safe Certificate
- Locking Devices Standard for Lever or Gear Operated Valves
- NACE MR0175
- Antistatic grounding between ball,stem and body
- 2"-1/2"3"4"6"8"Lever Operated 6"8" Gear Operated
- ISO 5211 Compatible Mounting Pads



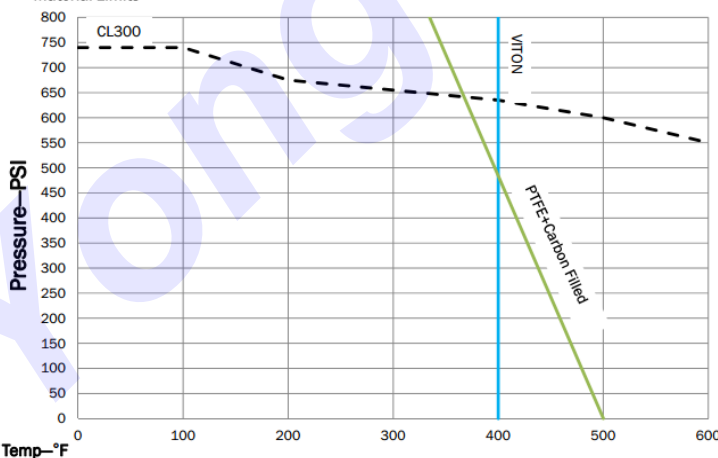
Parts & Materials

SPECIFICATIONS		
NOMINAL PRESSURE	740Psi	5.1 Mpa
SHELL STRENGTH (WATER)	1125 Psi	7.8 Mpa
SEALING TEST (WATER)	815 Psi	5.8 Mpa
AIR SEAT PING (AIR)	80.8 Psi	0.55 Mpa

NO.	Description	Material
1	Body	ASTM A216 WCB
2	Stud	ASTM A193 B7M
3	Nut	ASTM A194 2HM
4	Adapter Cap	ASTM A216 WCB
5	Gasket.Body	SS304+Graphite
6	O-ring.Body	HNBR-90
7	Seat *	PTFE+Carbon Fiber
8	Ball *	SS316
9	Stem *	SS316
10	Stem.gasket	PTFE
11	O-ring.Stem	HNBR-90
12	Antistatic steel ball	SS304
13	Antistatic spring	SS304
14	Gasket	PTFE
15	Grease Zerk	CS
16	Handle Screw	CS
17	Stop Screw	CS
18	Handle	Ductile Iron
19	Snap Ring	Spring Steel
20	Stop Plate	CS+Ni
21	Stud	CS
22	Nut	CS
23	Spring Washer	CS
24	Gear Operator	Cast Iron Case

Carbon Steel
A216 WCB
ASME B16.34 Ratings
Material Limits

Pressure Temperature Ratings

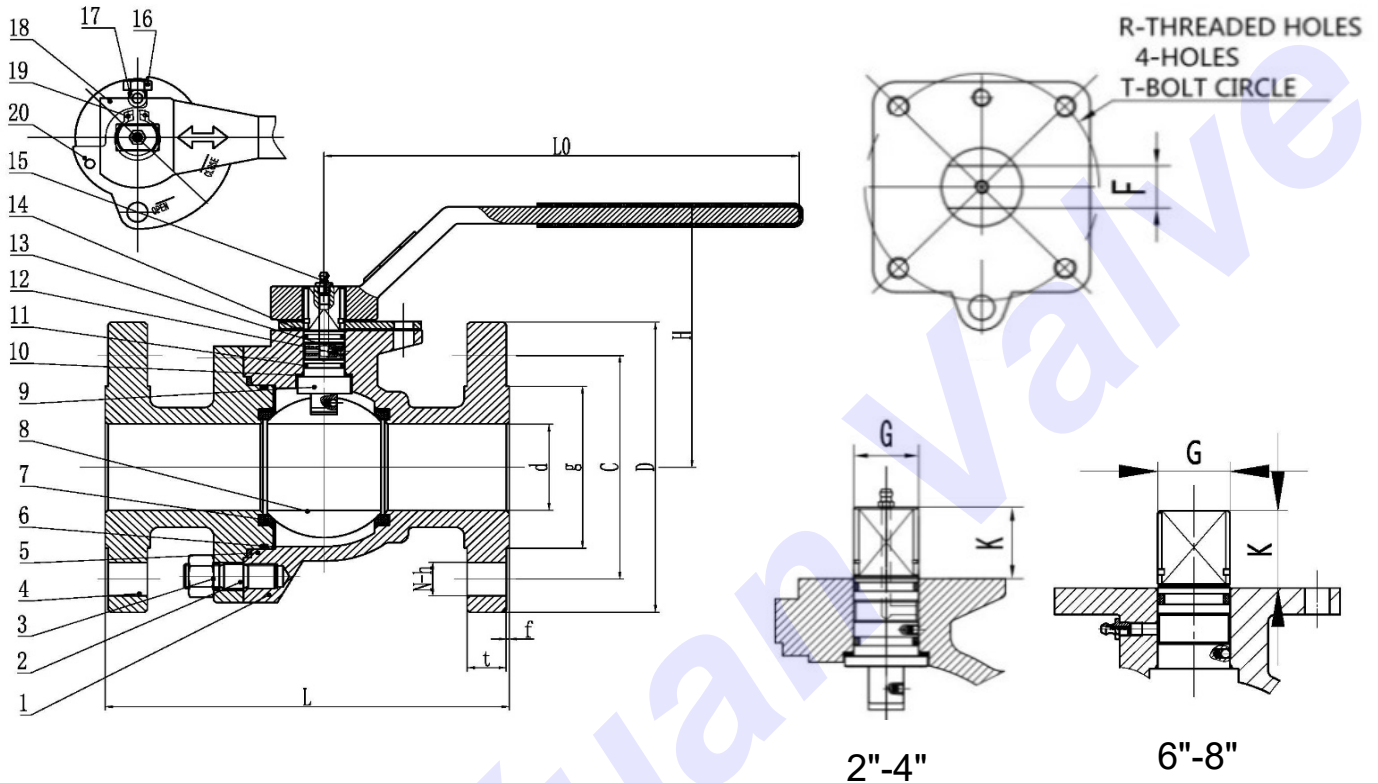


***Customer requirements

YONG YUAN VALVE

FLANGED END BALL VALVE

YFBF CLASS 300LB SERIES



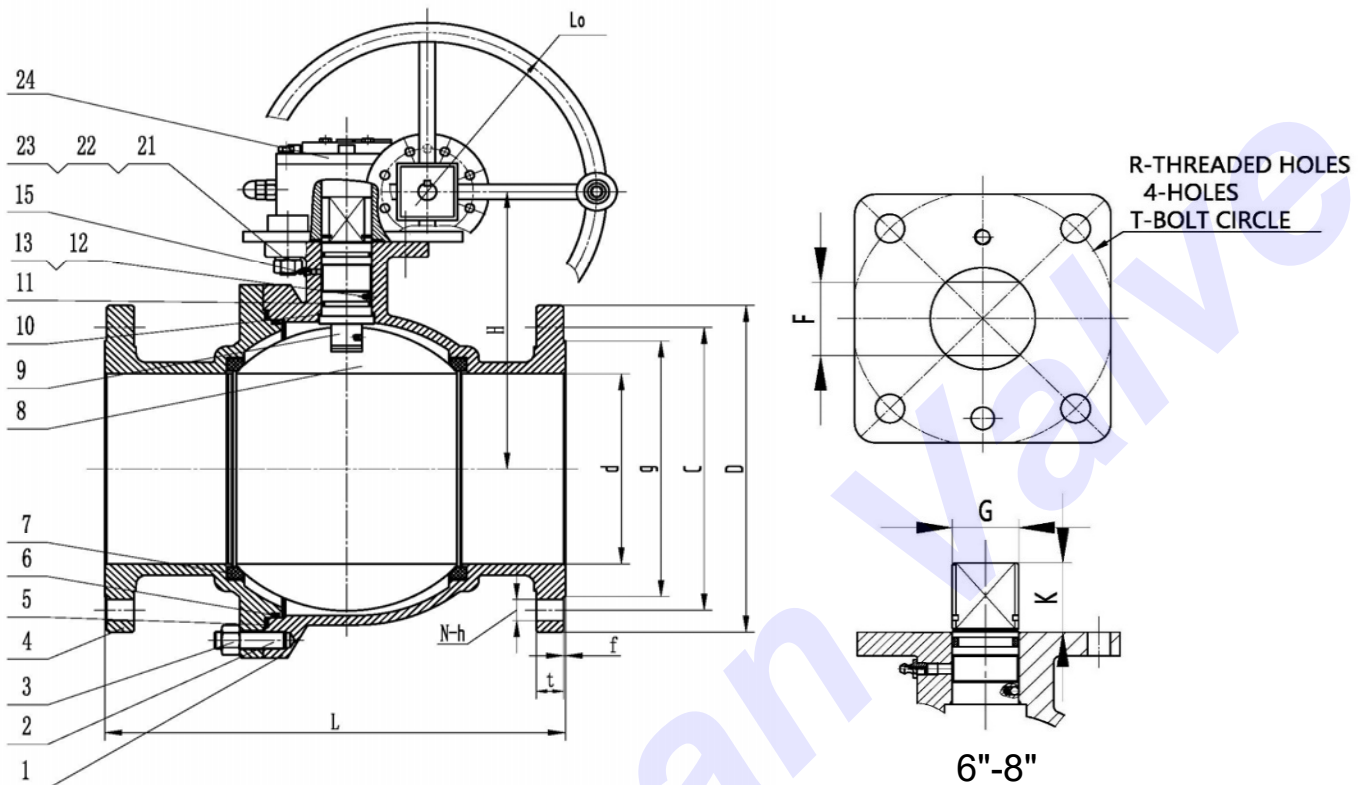
Dimensions(in)

NPS	2"	2-1/2"	3"	4"	6"	8"
L	8.50	9.50	11.13	12.00	15.87	19.75
D	6.50	7.50	8.25	10.00	12.50	14.96
C	5.00	5.88	6.62	7.88	10.62	13.00
g	3.63	4.13	5.00	6.18	8.50	10.62
d	1.93	2.56	2.91	3.94	5.91	7.91
N	8	8	8	8	12	12
h	0.75	0.88	0.88	0.88	0.88	1.00
t	0.82	0.94	1.06	1.19	1.38	1.56
f	0.06	0.06	0.06	0.06	0.06	0.06
H	5.91	6.32	6.88	9.11	12.14	14.33
R	1/4-20	1/4-20	5/16-18	3/8-16	0.71	0.866
T	1.969	1.969	2.750	4.016	6.500	6.500
G	0.866	0.866	1.244	1.374	1.575	1.969
F	0.551	0.551	0.866	0.945	1.063	1.417
K	0.984	0.984	1.339	1.555	1.594	1.970
L0	12.0	12.0	20.0	21.7	31.5	45.1
Torque	60	110	140	180	1000	2250
Weight	33.1	43.0	70.5	105.8	191.8	319.7

YONG YUAN VALVE

FLANGED END BALL VALVE

YFBF CLASS 300LB SERIES



Dimensions(in)

NPS	6"	8"
L	15.87	19.75
D	12.52	14.96
C	10.62	13.00
g	8.50	10.63
d	5.91	7.91
N	12	12
h	0.88	1.00
t	1.38	1.56
f	0.06	0.06
H	9.88	11.61
R	4-0.71	4-0.866
T	6.50	6.50
G	1.575	1.969
F	1.063	1.417
K	1.594	1.970
L0	18.0	23.6
Torque	1000	2250
Weight	220.5	377.4