

# YONG YUAN VALVE

## THREADED ISOIATOR VALVE

### YBIV SERIES

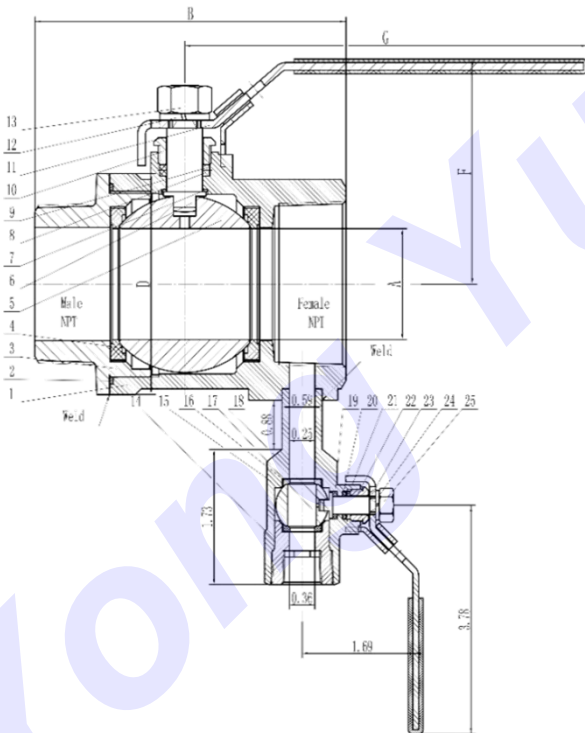


#### SPECIFICATIONS:

- 1"RP and 2"RP
- 1500(2")and 2000(1")MOP
- Carbon Steel Body
- Seal-Welded tow-piece Body & Side Valve
- Locking Handles
- RPTFE Seats
- Threads Conform to ASME B1.20.1(NPT)
- NACE MR0175

#### Parts & Materials

No.	Part	Material
1	BODY	ASTM A216-WCB
2	GASKET	PTFE
3	CAP	ASTM A216-WCB
4	SEAT	RPTFE
5	BALL	SS304
6	STEM	SS304
7	STEM WASHER	RPTFE
8	LOWER PACKING	PTFE
9	UPPER PACKING	PTFE
10	GLAND	SS304
11	HANDLE	SS201
12	SPRING WASHER	SS304
13	NUT	SS304
14	CAP	ASTM A216-WCB
15	BODY	ASTM A216-WCB
16	SEAT	RPTFE
17	BALL	SS304
18	STEM	SS304
19	STEM WASHER	RPTFE
20	LOWER PACKING	PTFE
21	UPPER PACKING	PTFE
22	GLAND	SS304
23	HANDLE	SS201
24	SPRING WASHER	SS304
25	NUT	SS304



#### Dimensions(in)

NPS	RART#	A	B	D	F	G	Weight (lbs)
1"	YBIV-2000	0.88	3.98	1.99	2.67	5.81	7.50
2"	YBIV-1500	1.50	5.30	3.29	3.70	7.09	2.65

TEL:0086-579-8715288

E-mail:cnyvc@cnyvc.com

0086-579-8725688

yu@cnyvc.com

FAX:0086-579-87151442

HTTP:www.oil-fieldvalve.com