

YONG YUAN VALVE

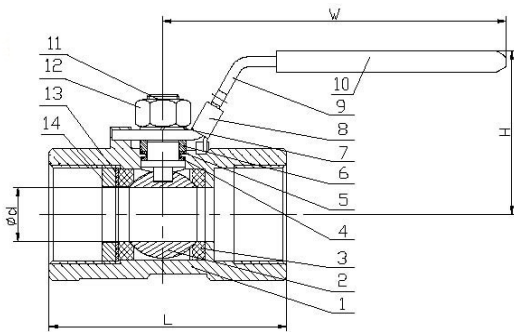
1PC STAINLESS STEEL BALL VALVE

YBES SERIES



Features:

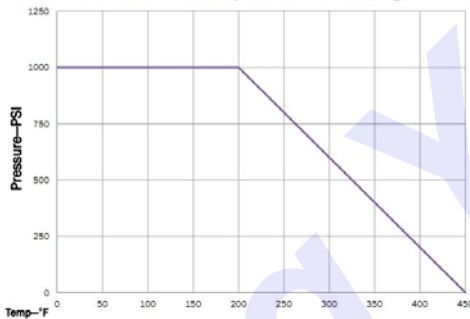
- 1-piece body, hexagon type
- Threaded ends to ANSI B1.20.1(NPT)
- Acc to ANSI B16.34, NACE MR-01-75
- 1000WOG; Reduced bore
- Test API598



Parts & Materials

No.	Part	Material
1	BODY	CF8M
2	BALL	SS316
3	SEAT	RPTFE
4	THRUST WASHER	PTFE
5	STEM PACKING	PTFE
6	GLAND	SS304
7	SPRING WASHER	SS304
8	LOCKING DEVICE	SS201
9	HANDLE	SS201
10	HANDLE COVER	PVC
11	STEM	SS316
12	NUT	A2-70
13	WASHER	SS304
14	INSERT	SS316

Pressure Temperature Ratings



DIMENSIONS(in)

NPS	RART#	d	L	H	W	Weight (lbs)	TORQUE (in·lb)
1/4	YBES02T10	0.20	1.54	1.20	2.76	0.14	27
3/8	YBES03T10	0.27	1.75	1.38	3.15	0.20	35
1/2	YBES04T10	0.35	2.20	1.61	3.54	0.33	44
3/4	YBES05T10	0.49	2.34	1.73	3.74	0.52	71
1	YBES06T10	0.61	2.80	2.01	4.33	0.75	89
1-1/4	YBES07T10	0.79	3.03	1.97	4.84	1.21	124
1-1/2	YBES08T10	0.98	3.27	2.38	5.51	1.57	159
2	YBES09T10	1.26	3.88	2.52	5.98	2.47	221