

YONG YUAN VALVE

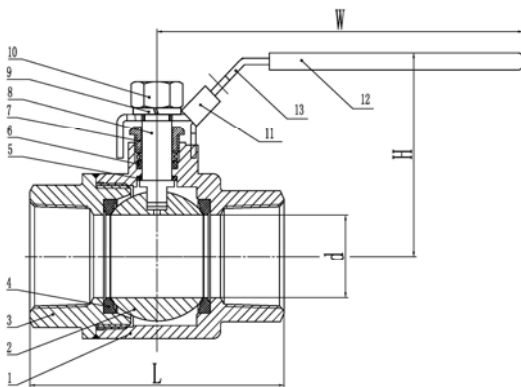
2 PC STAINLESS STEEL BALL VALVE

YBCS SERIES



SPECIFICATIONS:

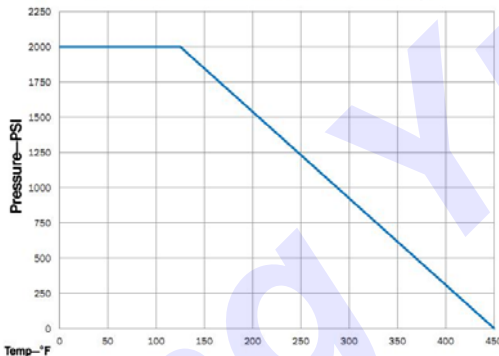
- FULL PORT
- W.P.: 1/4" ~ 2" 2000 W.O.G
- 2 PIECE BODY
- BLOW OUT PROOF STEM
- PTFE/RPTFE SEAL AND PACKING
- LOCKING HANDLE
- THREADS CONFORM TO ASME B1.20.1(NPT)
- SEAL WELDED
- NACE MR0175



Parts & Materials

No.	Part	Material
1	BODY	ASTM A351-CF8M
2	BALL	SS316
3	CAP	ASTM A351-CF8M
4	SEAT	RPTFE
5	THRUST WASHER	RPTFE
6	PACKING	PTFE
7	GLAND	SS304
8	STEM	SS316
9	SPRING WASHER	SS304
10	NUT	A2-70
11	LOCKING DEVICE	SS201
12	HANDLE COVER	PVC
13	HANDLE	SS201

Pressure Temperature Ratings



Dimensions(in)

NPS	RART#	d	L	H	W	Weight (lbs)	TORQUE (in·lb)
1/4	YBCS02R20W	0.4528	2.4606	2.1535	3.8976	0.75	42
3/8	YBCS03R20W	0.4921	2.4606	2.1535	3.8976	0.71	42
1/2	YBCS04R20W	0.5906	2.5106	2.2677	4.1732	0.82	49
3/4	YBCS05R20W	0.7874	2.9531	2.4724	4.7638	1.21	73
1	YBCS06R20W	0.9843	3.5528	2.7953	5.9055	2.03	113
1-1/4	YBCS07R20W	1.2598	4.0244	3.0827	5.9055	3.02	253
1-1/2	YBCS08R20W	1.4961	4.5571	3.5827	6.4961	4.78	288
2	YBCS09R20W	1.9291	5.3150	3.9252	7.0866	8.02	391